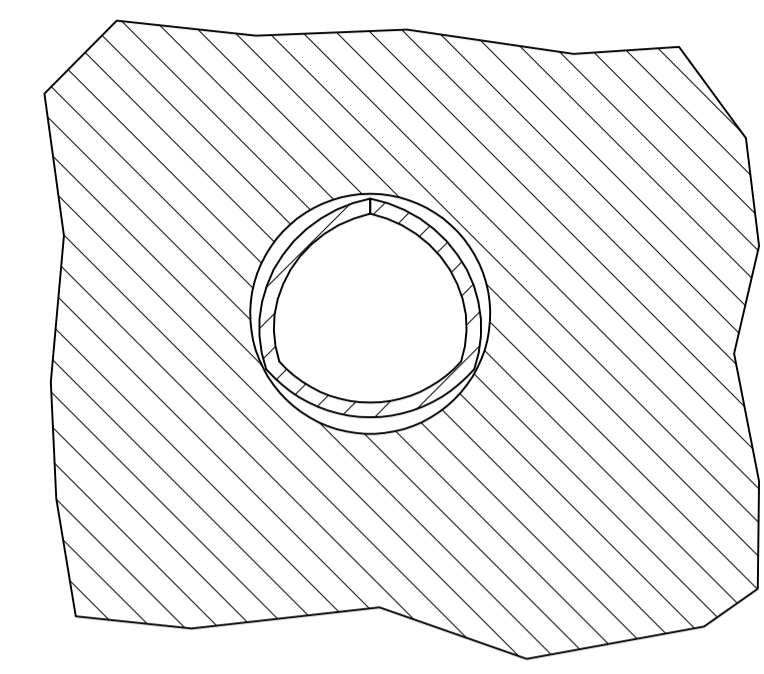
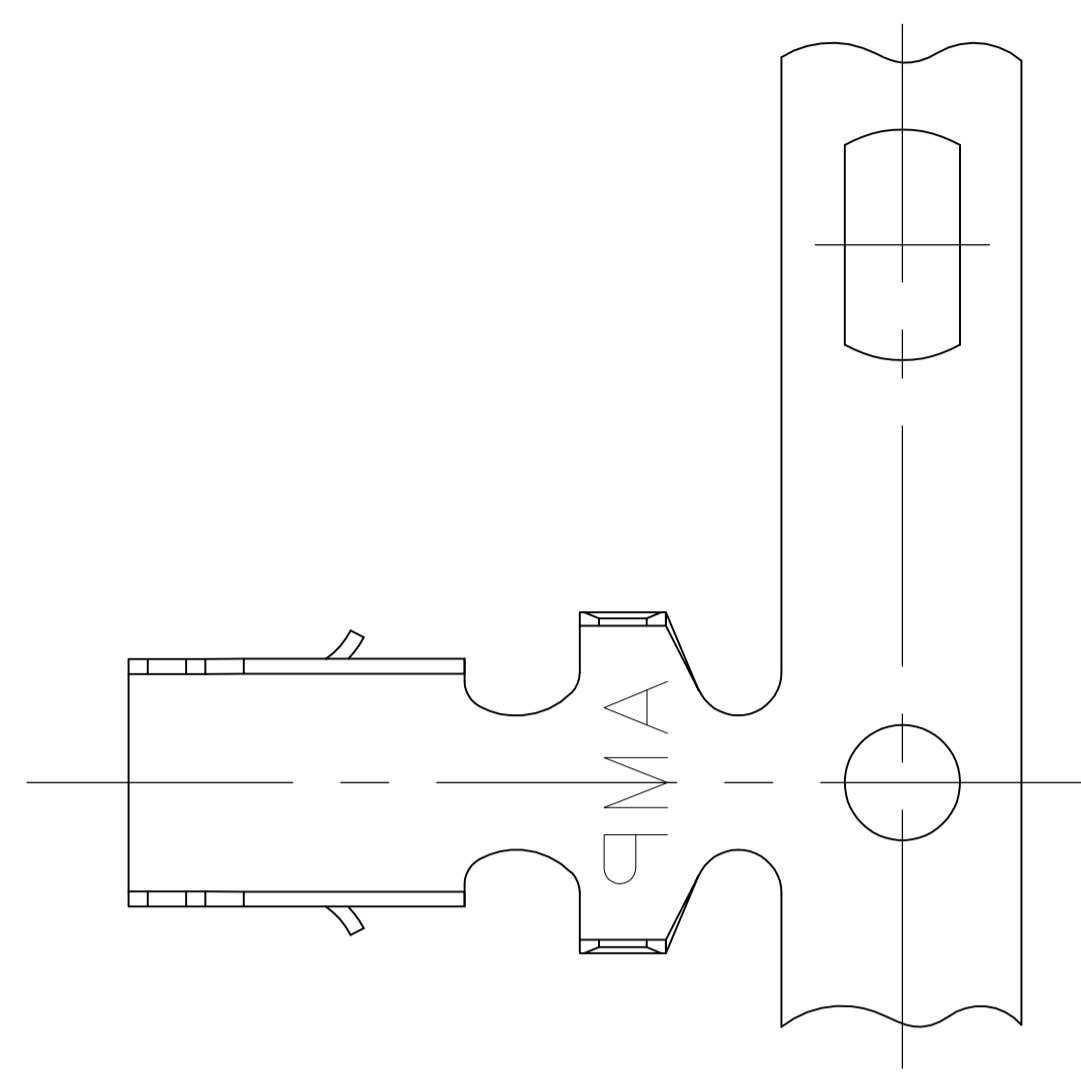
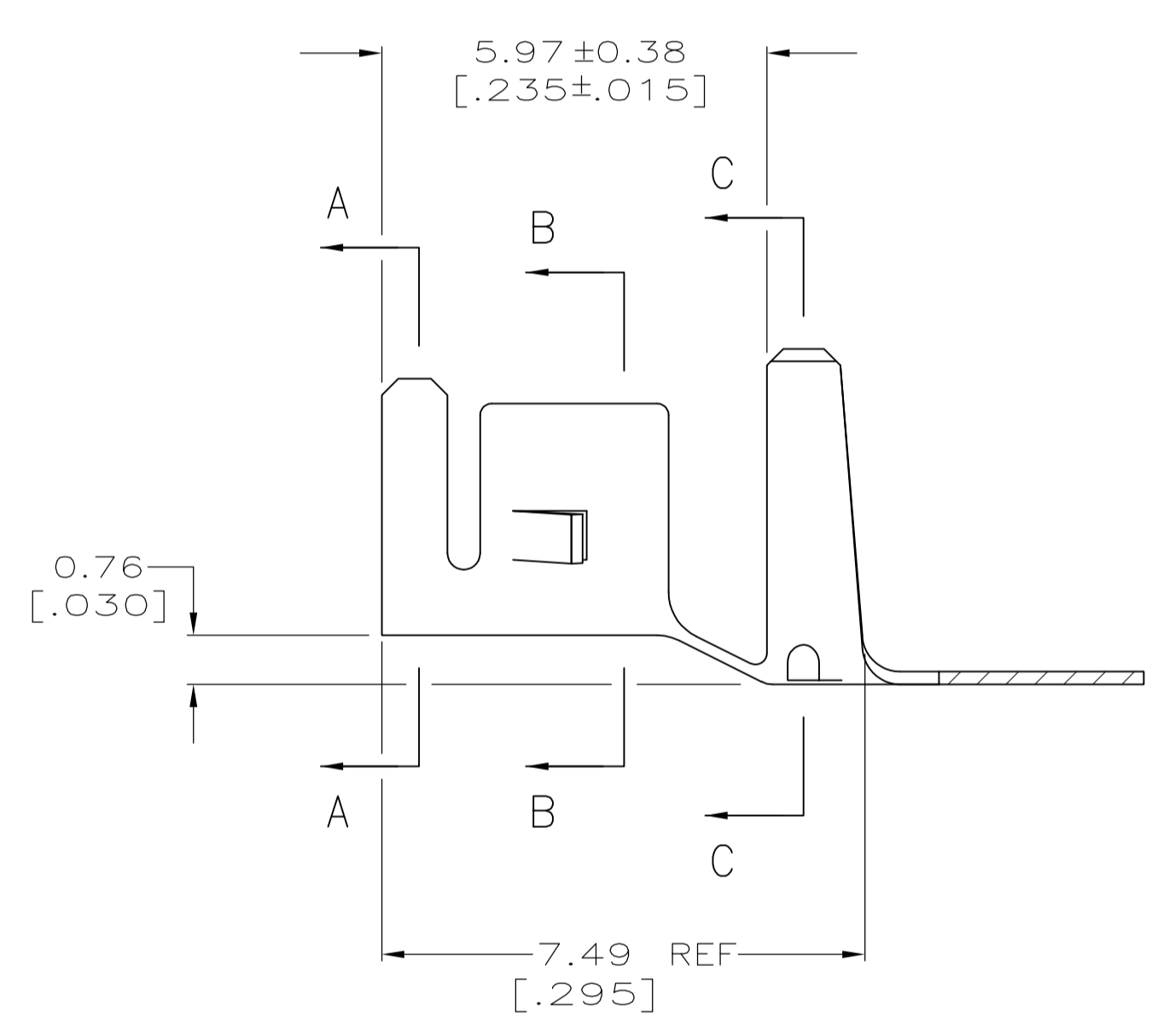


LOC		DIST		REVISIONS			
CM	00	REV	DATE	BY	CHKD	APVD	
N4		REVISED PER ECO-12-014997	22AUG12	KH	SM		

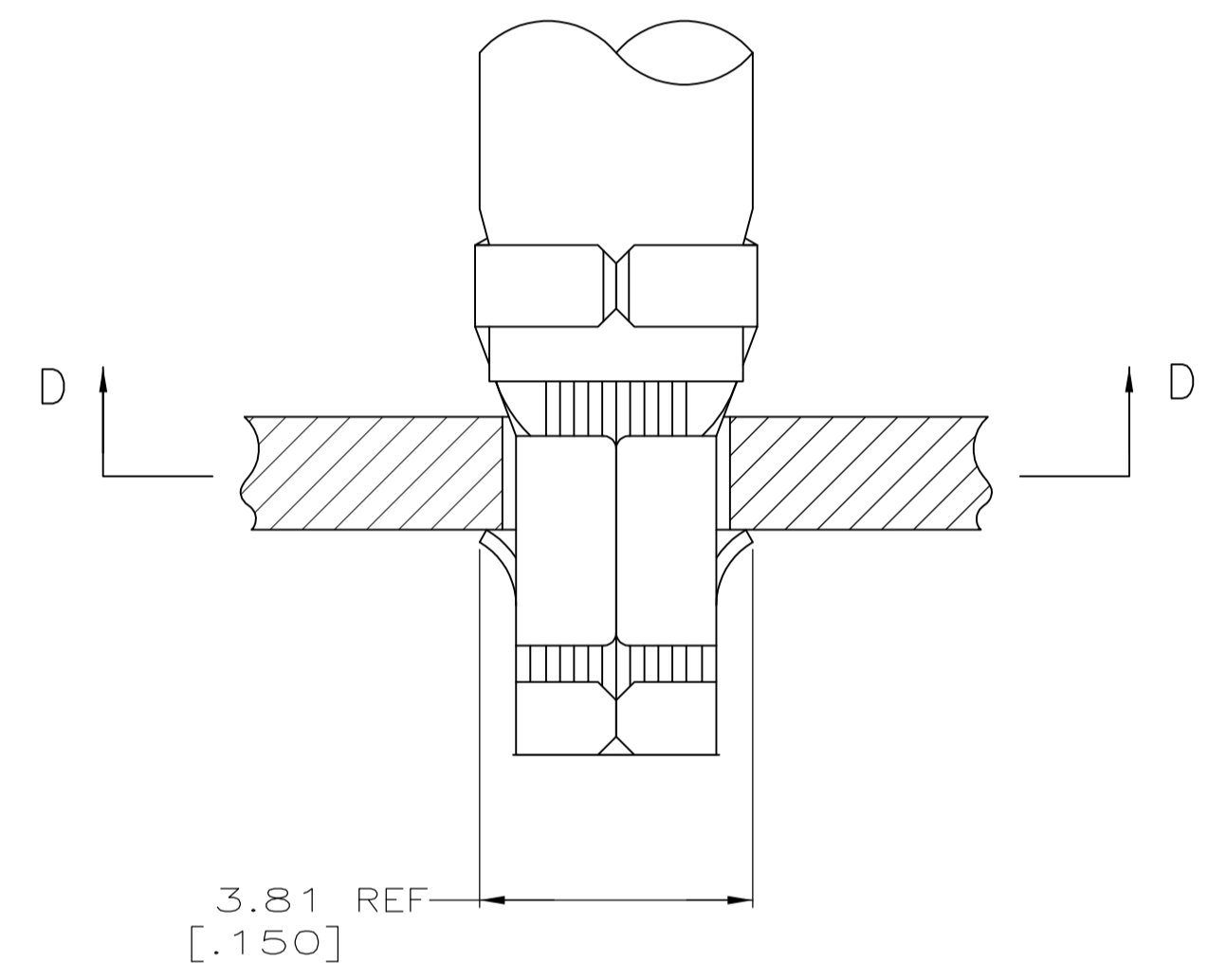
- 1 PARTS COMPLY WITH AMP SOLDERABILITY SPEC 109-11-3.
- 2 0.00508 [.000200] MIN BRIGHT TIN-LEAD.
- 3 WIRE RANGE: 0.80 - 2.0 mm² [18 - 14 AWG].
- 4 INSULATION RANGE: 2.29 - 3.81 [.090 - .150] DIA.
- 5 DIMENSIONS IN BRACKETS ARE IN INCHES.
- 6 0.00508 [.000200] MIN BRIGHT TIN.



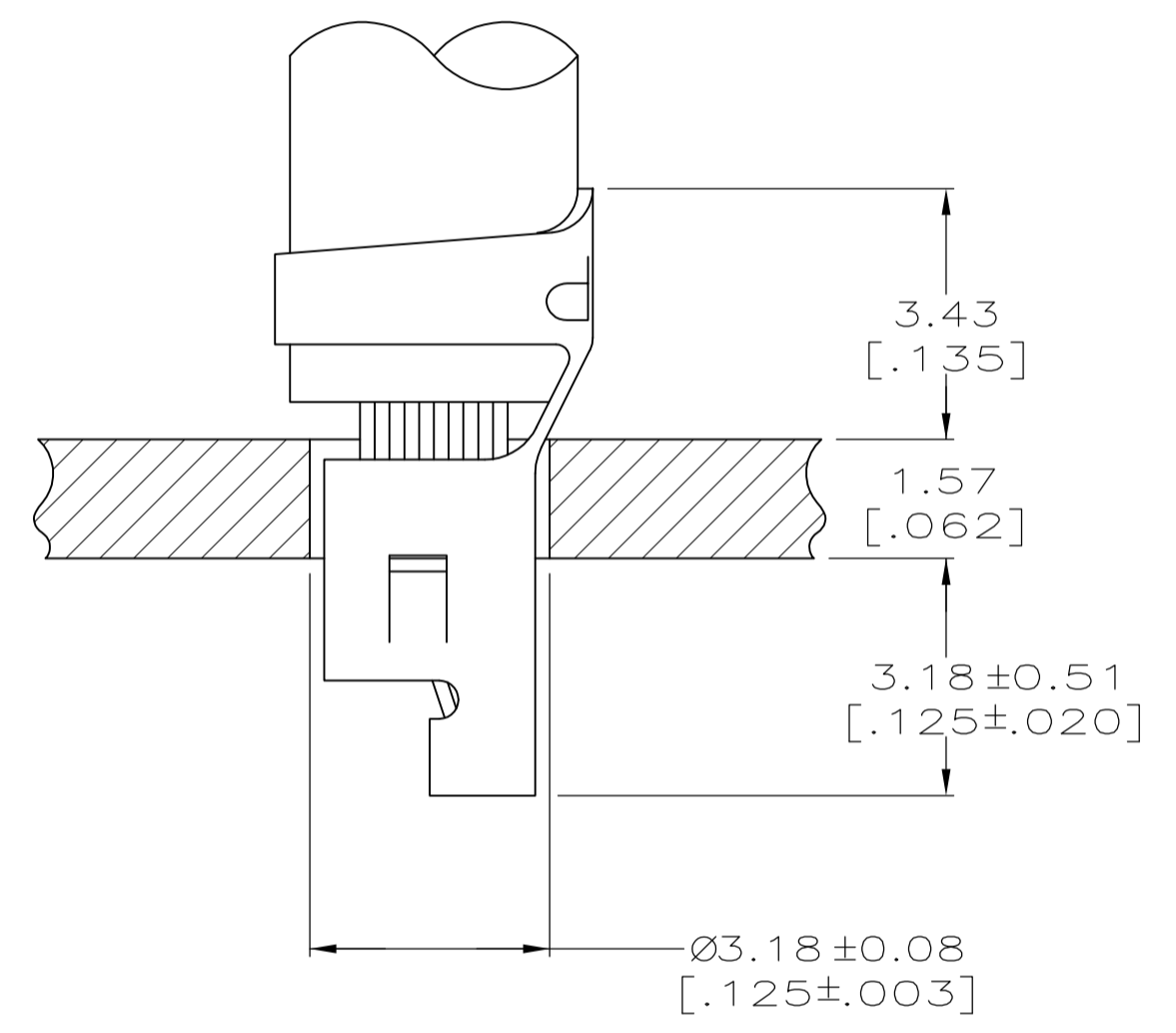
SECTION D-D



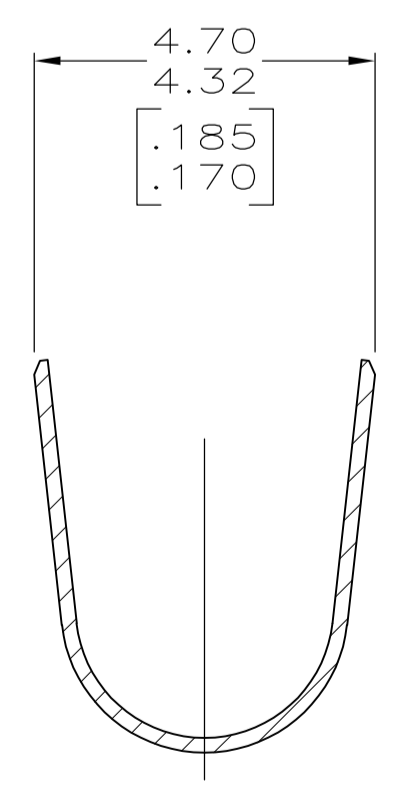
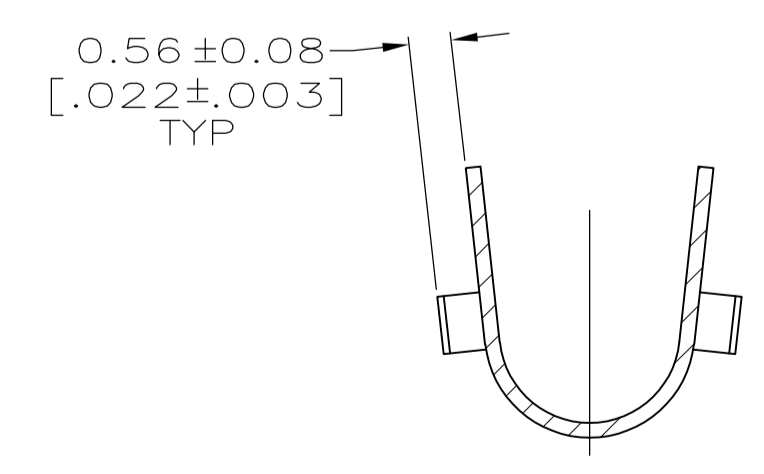
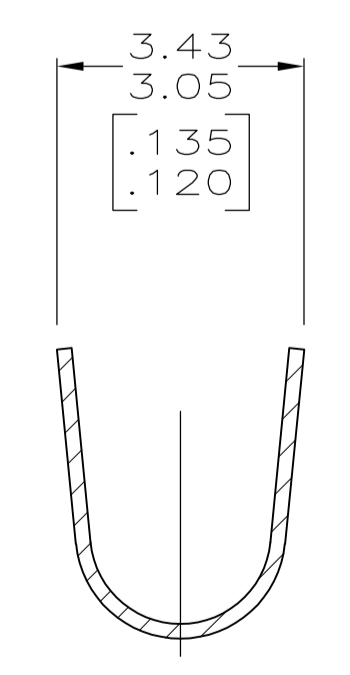
SECTION A-A



SECTION B-B



SECTION C-C



6	3-770060-1
2	-770060-1
FINISH	PART NO.

SUPERSEDED BY 3-770060-1		S. CARPENTER 22AUG2003		TE Connectivity	
J. ELLIS 22AUG2003		J. ELLIS 22AUG2003		NAME	
PRODUCT SPEC		APPLICATION SPEC		TERMINAL, AMP-IN™	
MATERIAL 0.198 [.0078] PH BRZ		FINISH		RESTRICTED TO	
CUSTOMER DRAWING		SCALE 10:1		SHEET 1 OF 1 REV N4	

